

1.4V Zinc Air (Zn/O₂) Battery

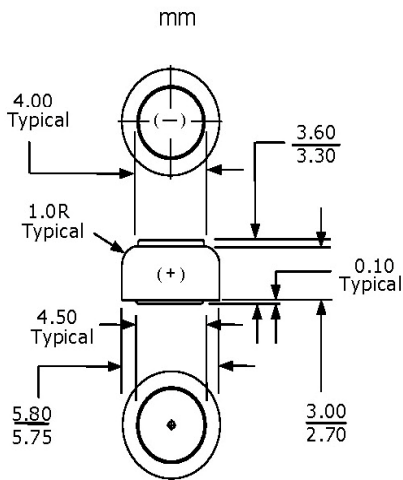
Type: **A10**

SPECIFICATIONS:

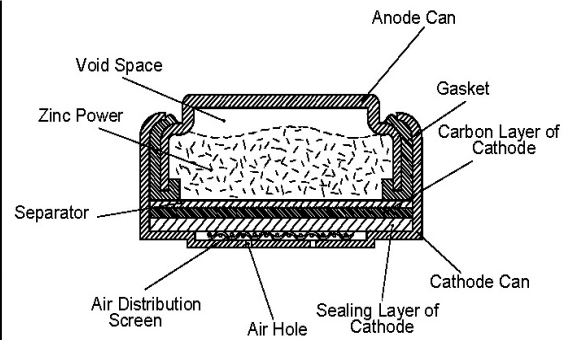
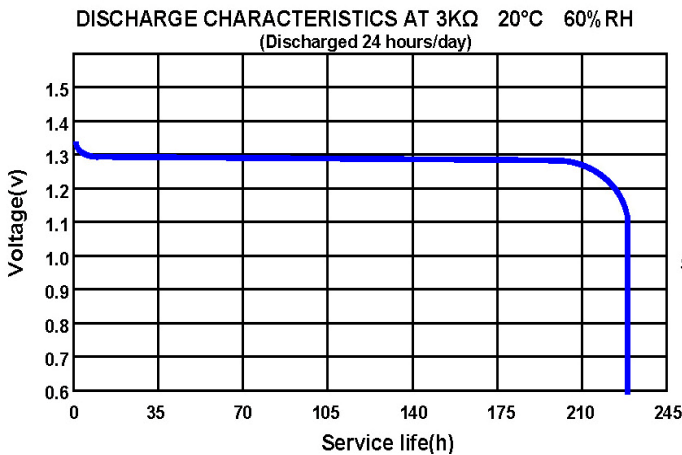


Chemical System:	Zinc Air (Zn/O ₂)
Identification:	IEC-PR70
Tab Color:	Yellow
Build Standard:	IEC 60086-1:2000, IEC 60086-2:2000
Nominal Voltage:	1.4 Volts
Capacity:	100 mAh (to 0.9 volts) (Rated at 3k ohms at 20°C/ 60%RH)
Available Current:	4 mA(at 1.1 volts)
Tab Sealing Arrangements:	On Cathode Can. See picture above.
Capacity Retention:	> 85%(after 3 years)
Shelf Life:	3 years
Operation Temp:	0°C to 50°C
Typical Weight:	0.28 grams (0.01 oz.)
Typical Volume:	0.08 cubic centimeters (0.005 cubic inch)
Impedance:	≤ 8 ohms (at AC 1000Hz)

Industry Standard Dimensions



Construction



Notice:

Environmental elements comply with ROHS requirements. This information is subject to change without prior notice and for reference only. It should not be used as a product guarantee or warranty. For additional information, please contact with Vapex Technology Limited.